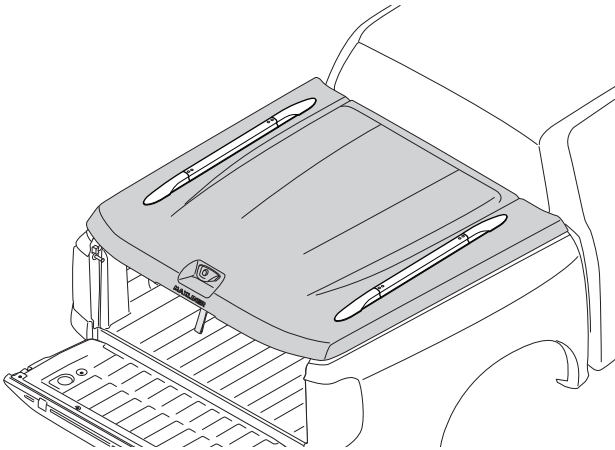




INSTALLATION INSTRUCTIONS MANUAL



Caution for installation

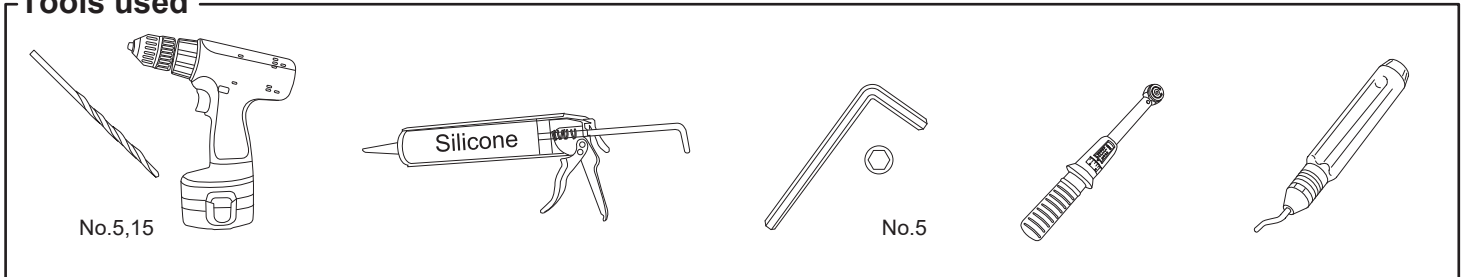
- Read this mounting manual carefully, before you start the installation.
1. Area where to install product should be clean.
 2. During installation, person who installed should take off any ornaments.

Product name	RACK OPTION FOR MAXCOVER 45° / 180°
Model name	FORD RANGER DOUBLE CAB 2022 / RAPTOR 2022
Inst. number	L05-0149

Component parts

		1			2				
		X2			X4				
3			4			5			6
X4			X8			X8			X8

Tools used



Instruction procedure

